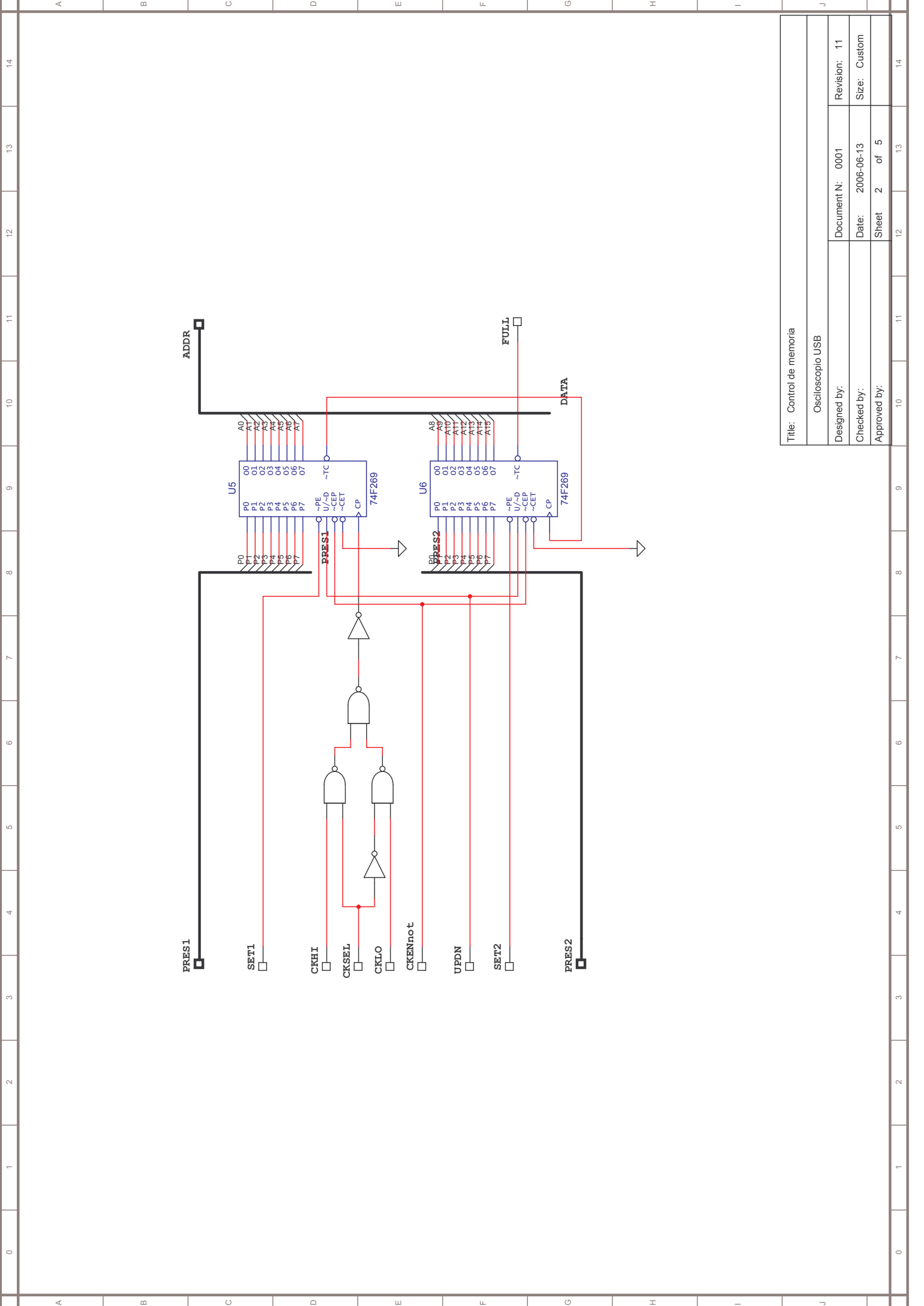


NOTE: remember to add 0.1uF capacitor to all high-speed ICS (74F269, TLC5540, CY7C109B) Vcc

Title: Bloque principal	
Osciloscopio USB	
Designed by:	Document N: 0001
Checked by:	Date: 2006-06-13
Approved by:	Sheet 1 of 5
Revision: 11	
Size: Custom	



Title: Control de memoria

Oscoscopio USB

Designed by: 0001 Revision: 11

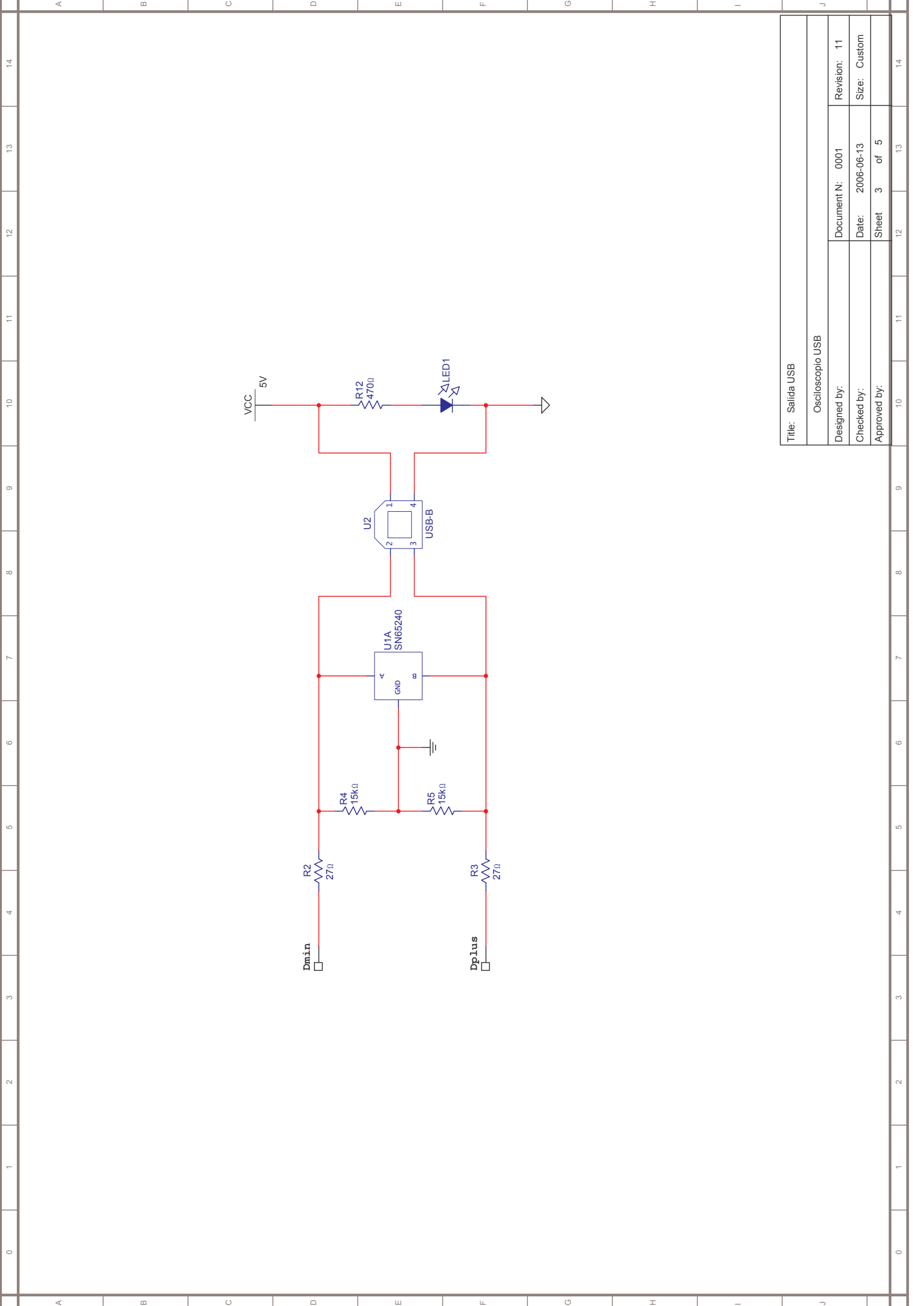
Checked by: 2006-06-13 Size: Custom

Approved by: Sheet 2 of 5

Document N: 0001 Revision: 11

Date: 2006-06-13 Size: Custom

Sheet 2 of 5



Title: Salida USB

Oscoscopio USB

Designed by:

Document N: 0001

Revision: 11

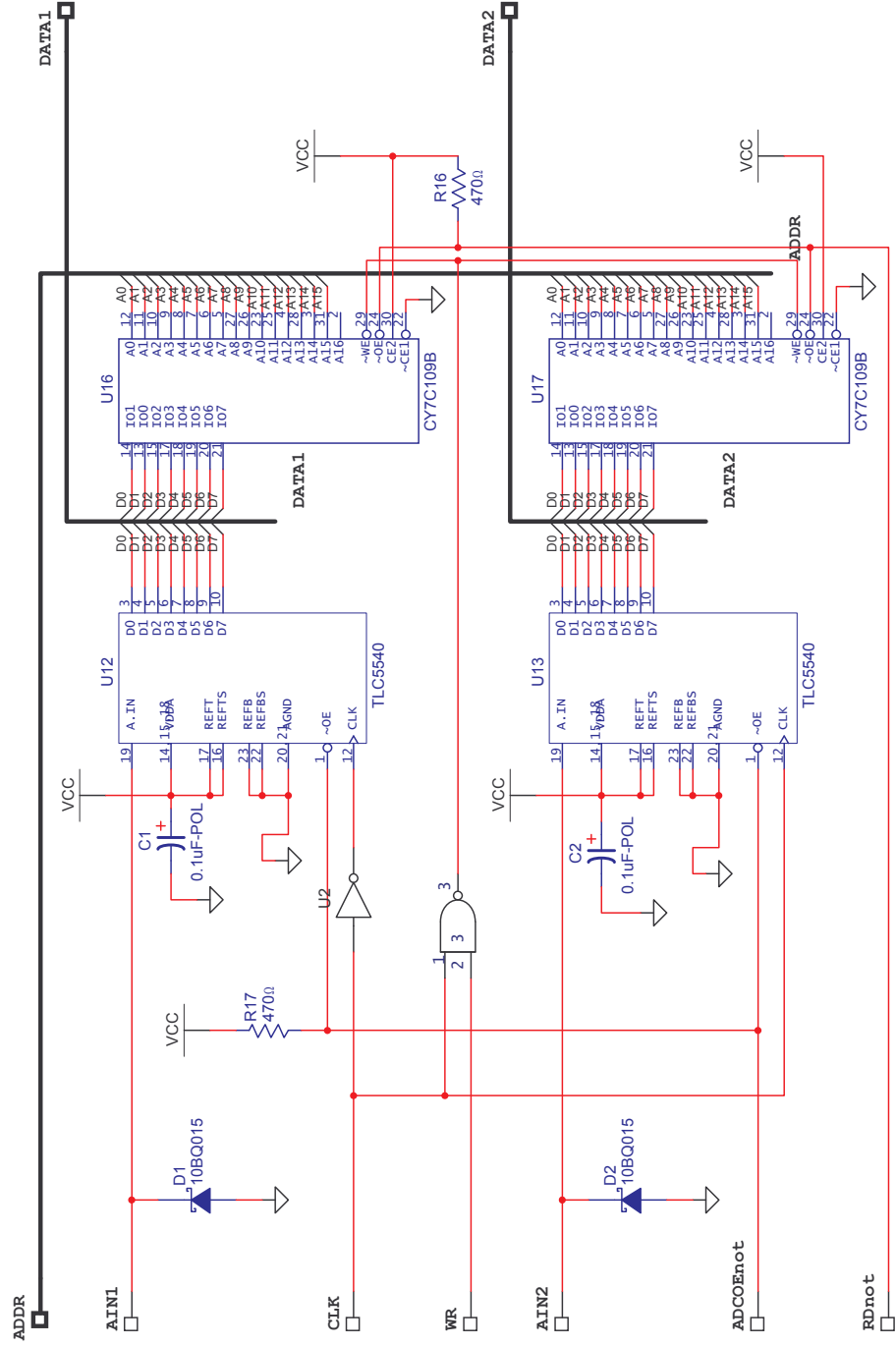
Checked by:

Date: 2006-06-13

Size: Custom

Approved by:

Sheet 3 of 5



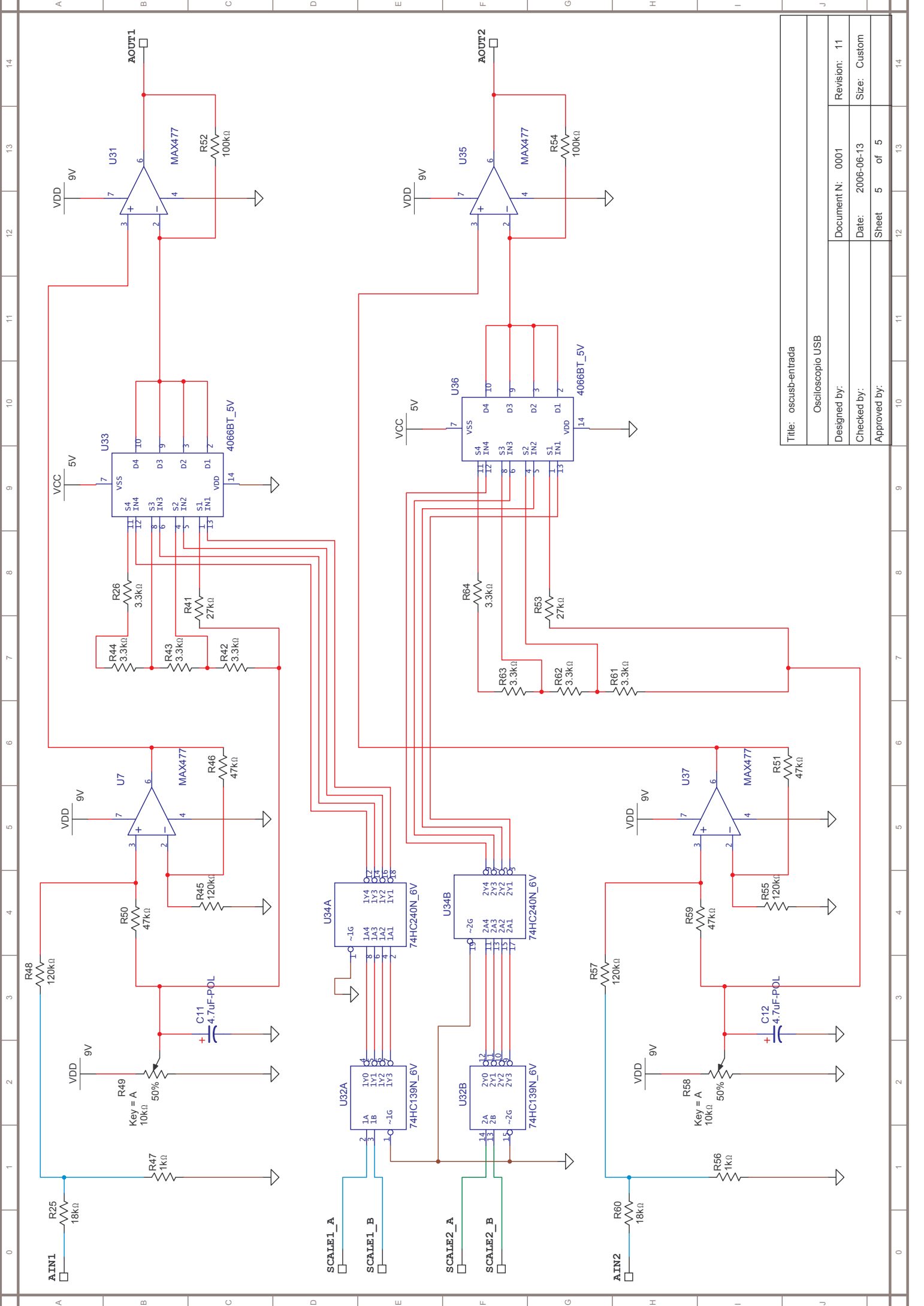
Title: Adquisición

Oscoscopio USB

Designed by: 0001 Revision: 11

Checked by: 2006-06-13 Size: Custom

Approved by: Sheet 4 of 5



Title: oscusb-entrada	
Oscoscopio USB	
Designed by:	Document N: 0001
Checked by:	Date: 2006-06-13
Approved by:	Sheet 5 of 5

Revision: 11
Size: Custom