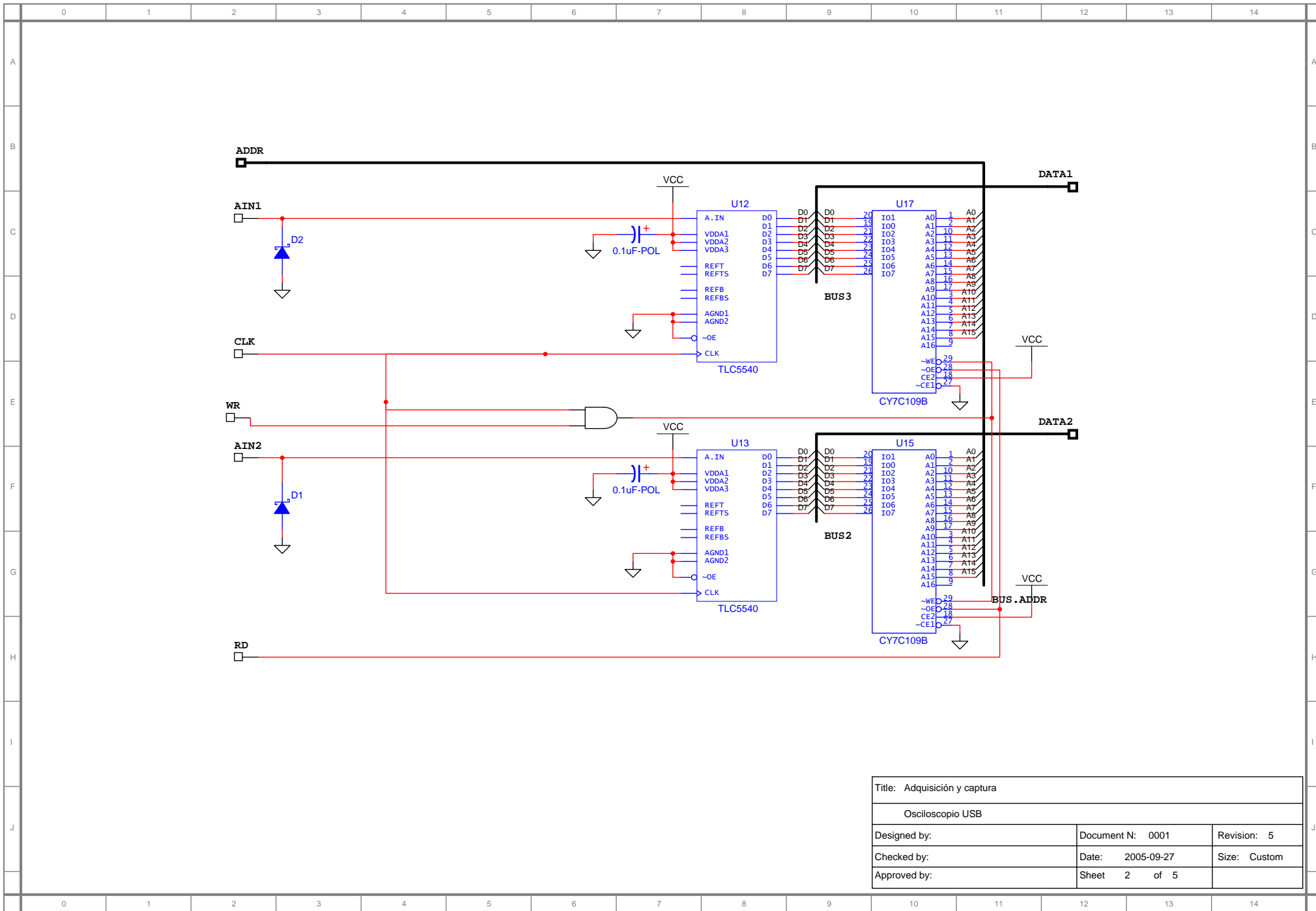
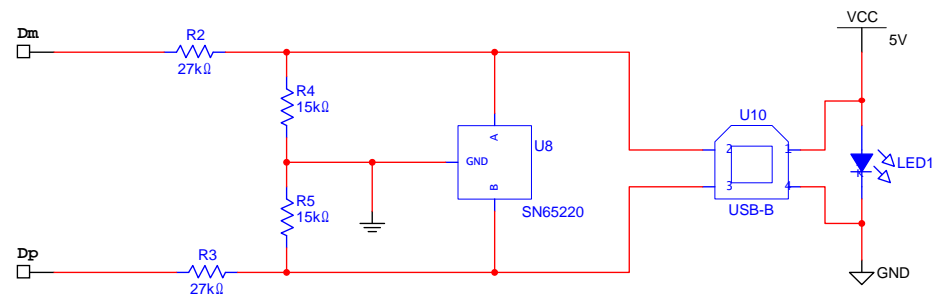


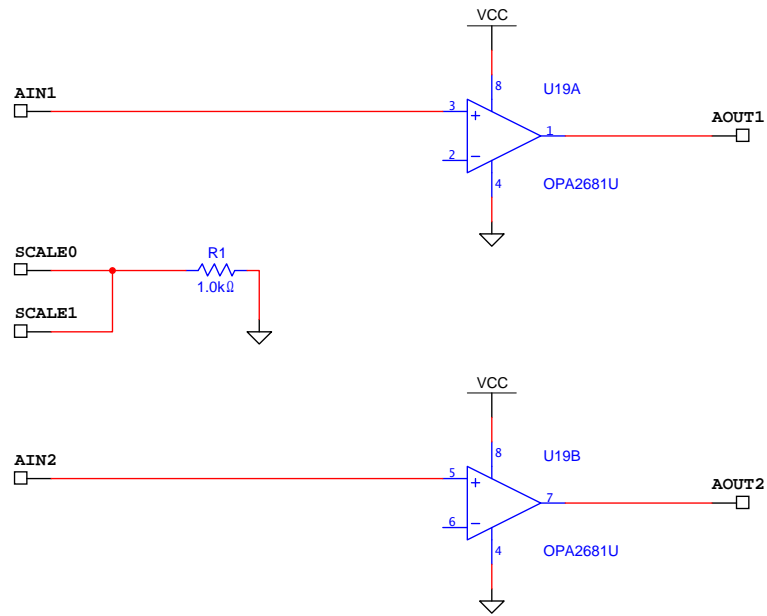
Title: PIC y bloques principales		
Osciloscopio USB		
Designed by:	Document N: 0001	Revision: 1.0
Checked by:	Date: 2005-09-27	Size: Custom
Approved by:	Sheet 1 of 5	



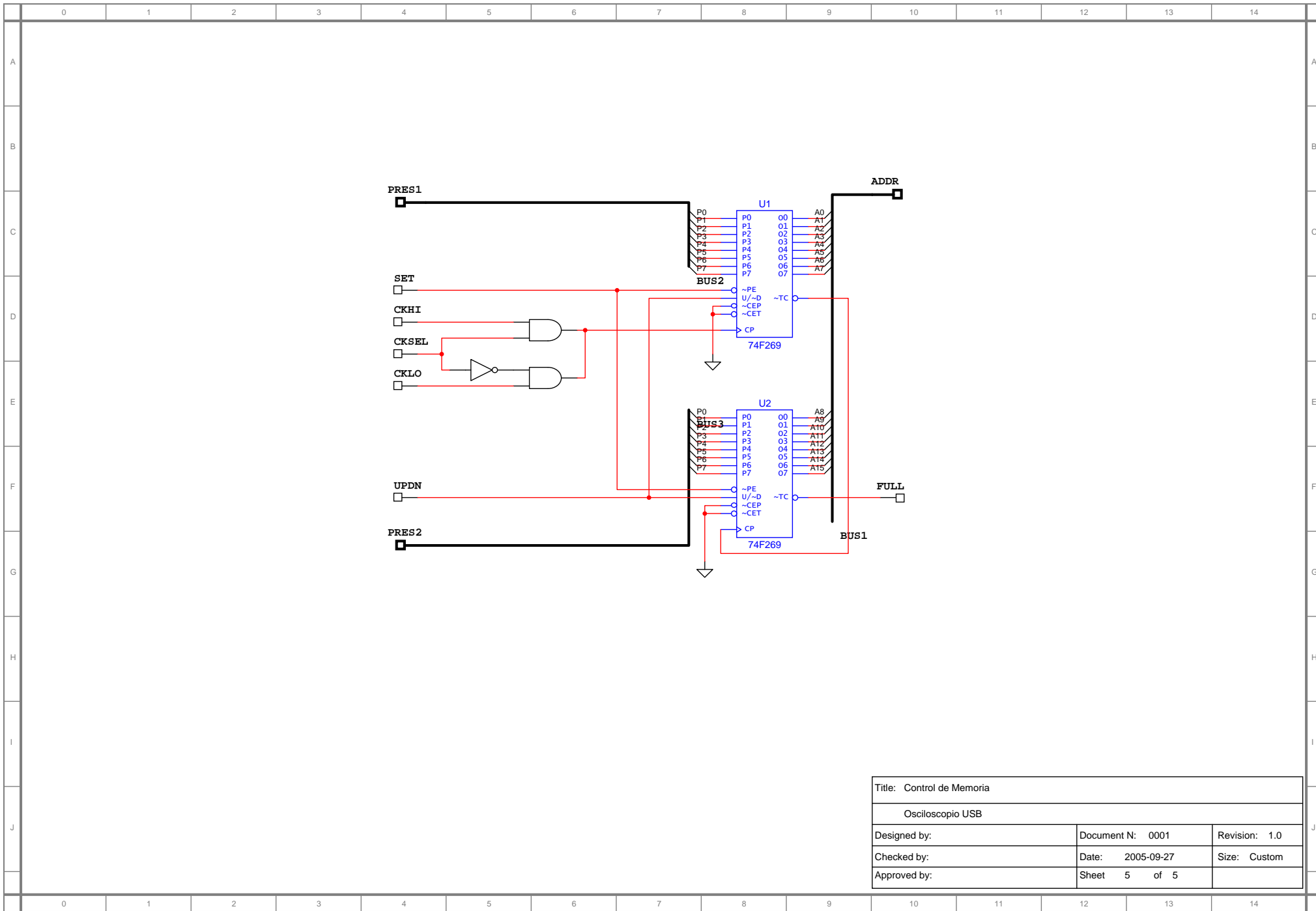
Title: Adquisición y captura		
Osciloscopio USB		
Designed by:	Document N: 0001	Revision: 5
Checked by:	Date: 2005-09-27	Size: Custom
Approved by:	Sheet 2 of 5	



Title: Salida USB		
Osciloscopio USB		
Designed by:	Document N: 0001	Revision: 5
Checked by:	Date: 2005-09-27	Size: Custom
Approved by:	Sheet 3 of 5	



Title: Etapa de entrada		
Osciloscopio USB		
Designed by:	Document N: 0001	Revision: 5
Checked by:	Date: 2005-09-27	Size: Custom
Approved by:	Sheet 4 of 5	



Title: Control de Memoria		
Osciloscopio USB		
Designed by:	Document N: 0001	Revision: 1.0
Checked by:	Date: 2005-09-27	Size: Custom
Approved by:	Sheet 5 of 5	