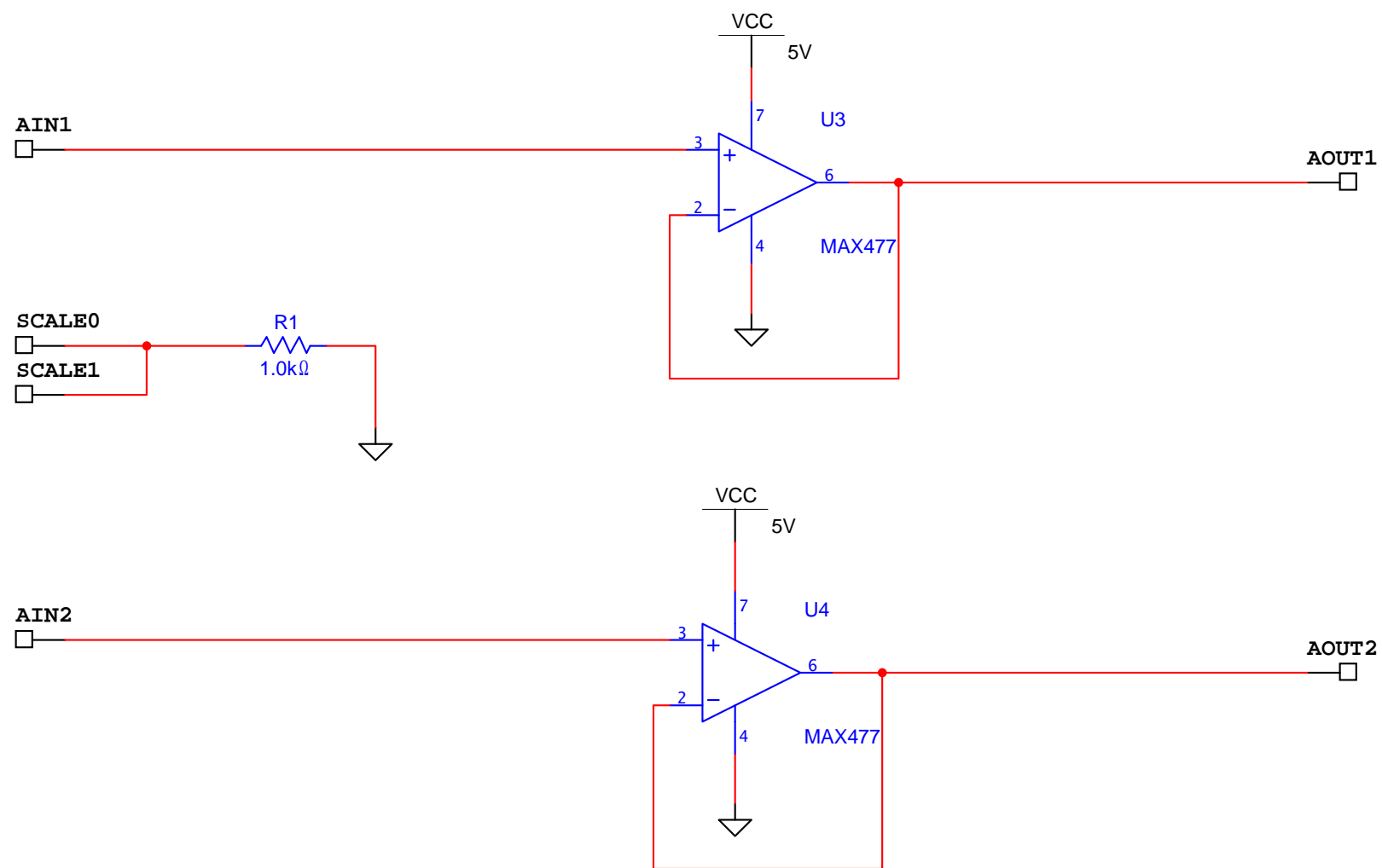
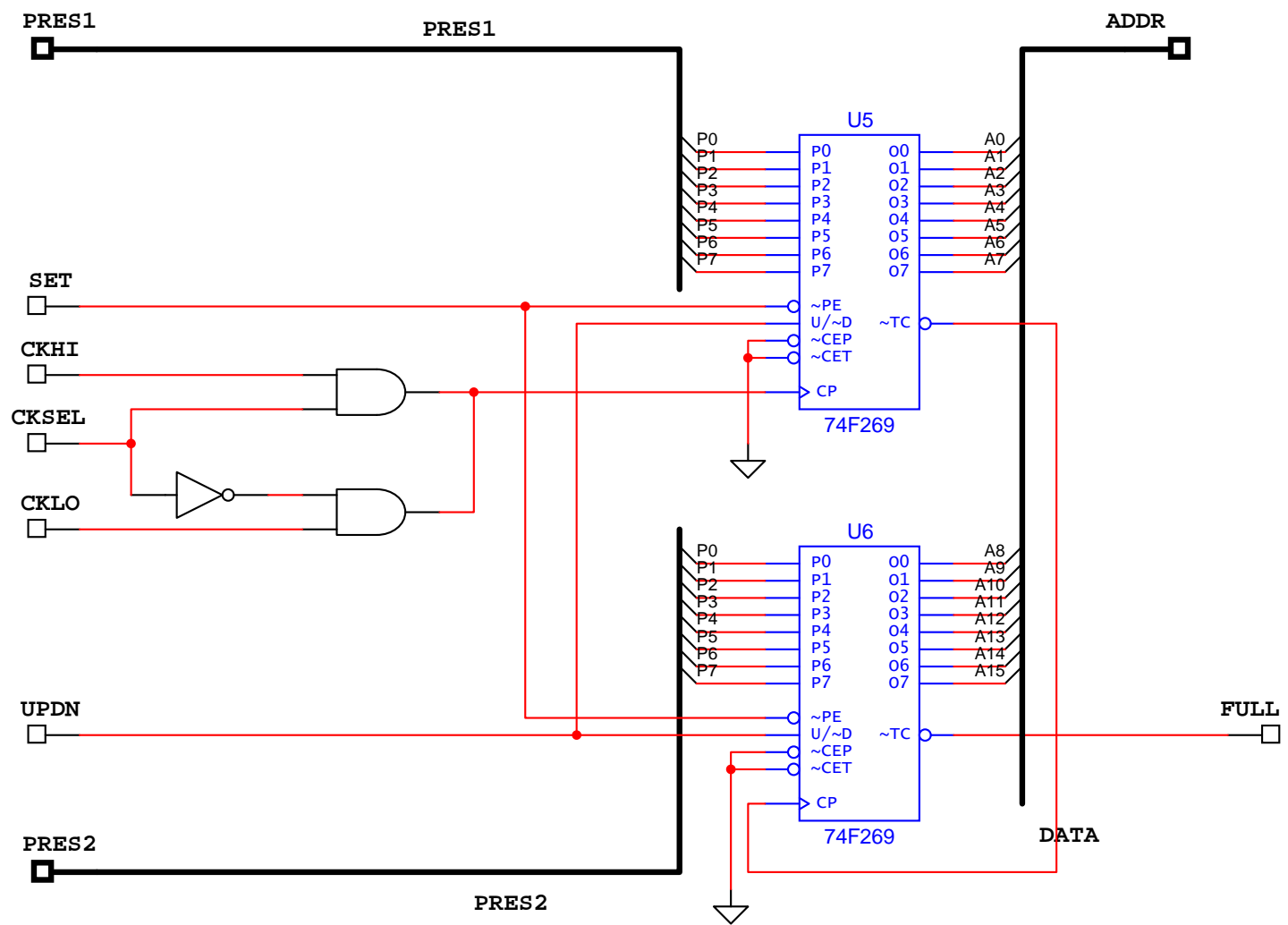


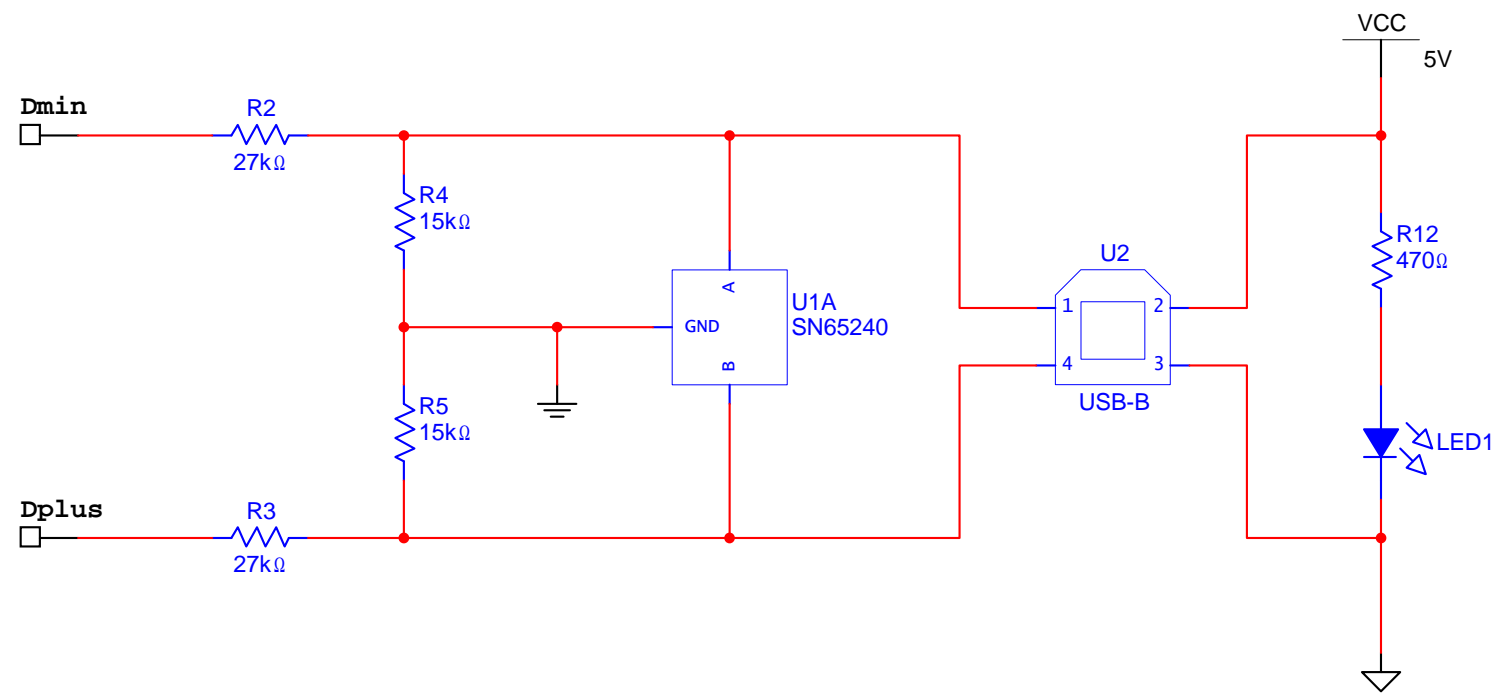
Title: oscusb-main		
Osciloscopio USB		
Designed by:	Document N: 0001	Revision: 6
Checked by:	Date: 2005-11-29	Size: Custom
Approved by:	Sheet 1 of 5	



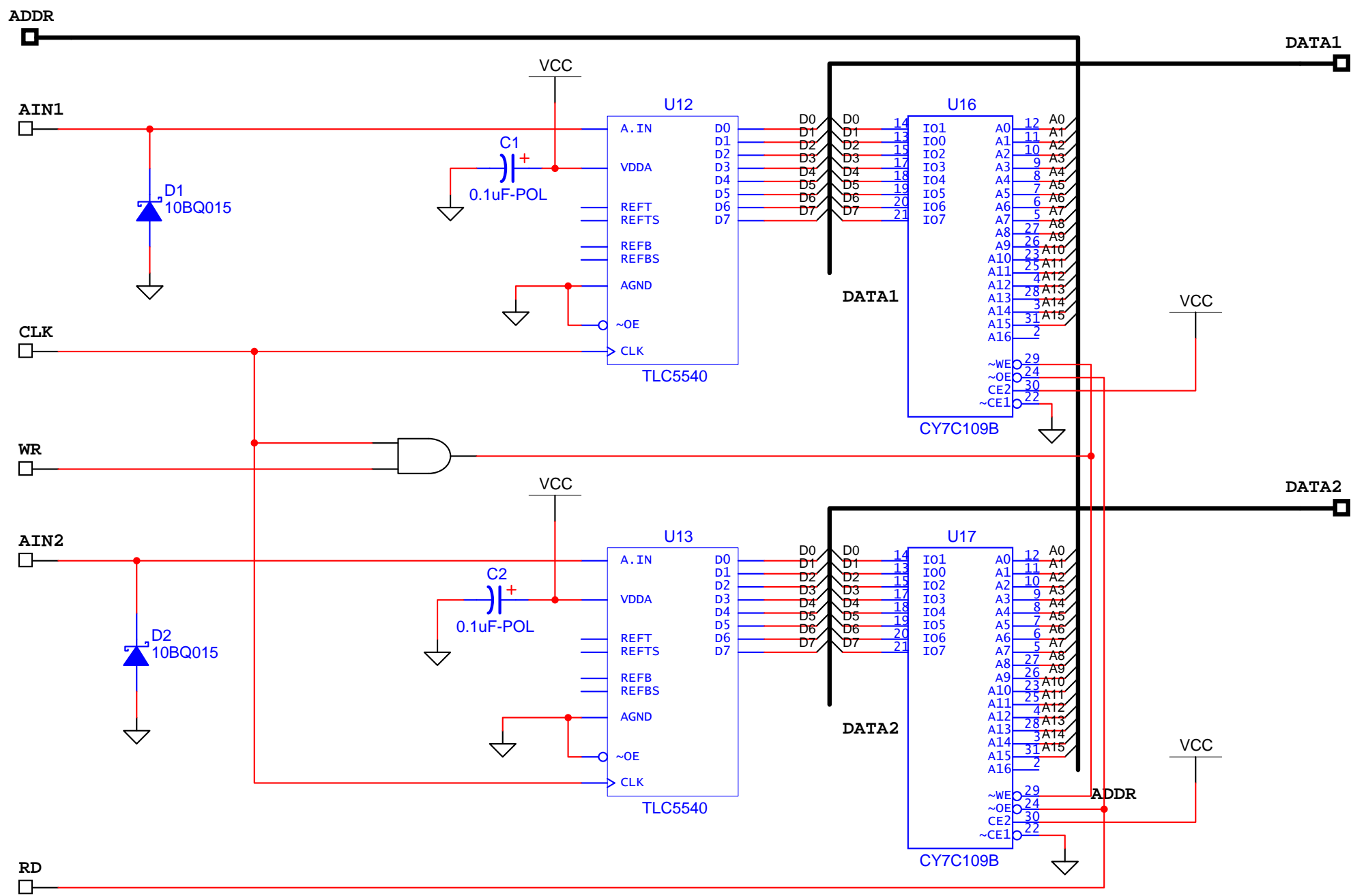
Title: Etapa de Entrada		
Osciloscopio USB		
Designed by:	Document N: 0001	Revision: 6
Checked by:	Date: 2005-11-29	Size: Custom
Approved by:	Sheet 2 of 5	



Title: Control de memoria		
Osciloscopio USB		
Designed by:	Document N: 0001	Revision: 6
Checked by:	Date: 2005-11-29	Size: Custom
Approved by:	Sheet 3 of 5	



Title: Salida USB		
Osciloscopio USB		
Designed by:	Document N: 0001	Revision: 6
Checked by:	Date: 2005-11-29	Size: Custom
Approved by:	Sheet 4 of 5	



Title: Adquisición y captura		
Osciloscopio USB		
Designed by:	Document N: 0001	Revision: 6
Checked by:	Date: 2005-11-29	Size: Custom
Approved by:	Sheet 5 of 5	