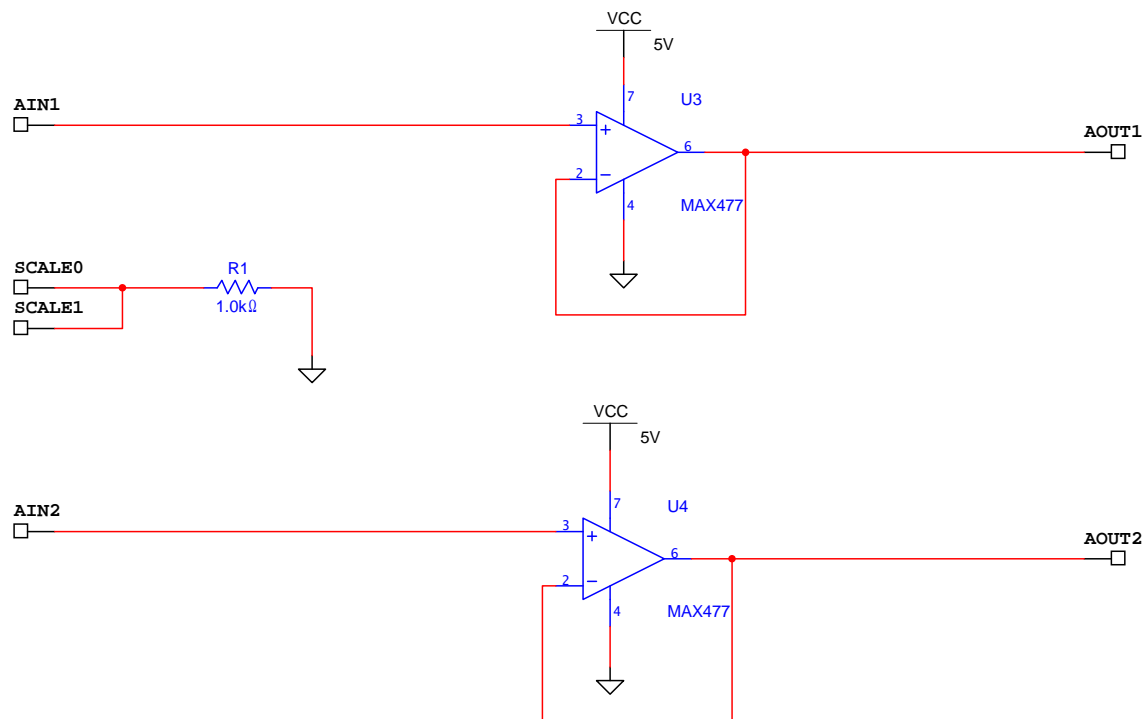
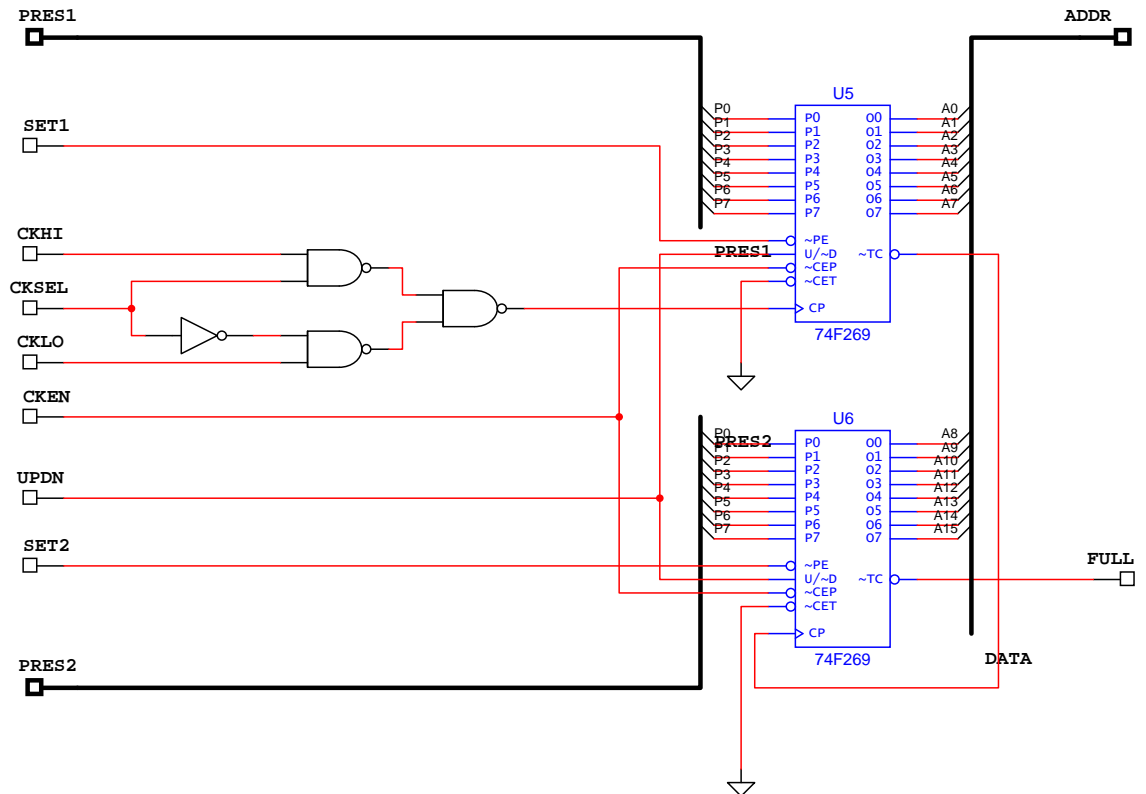


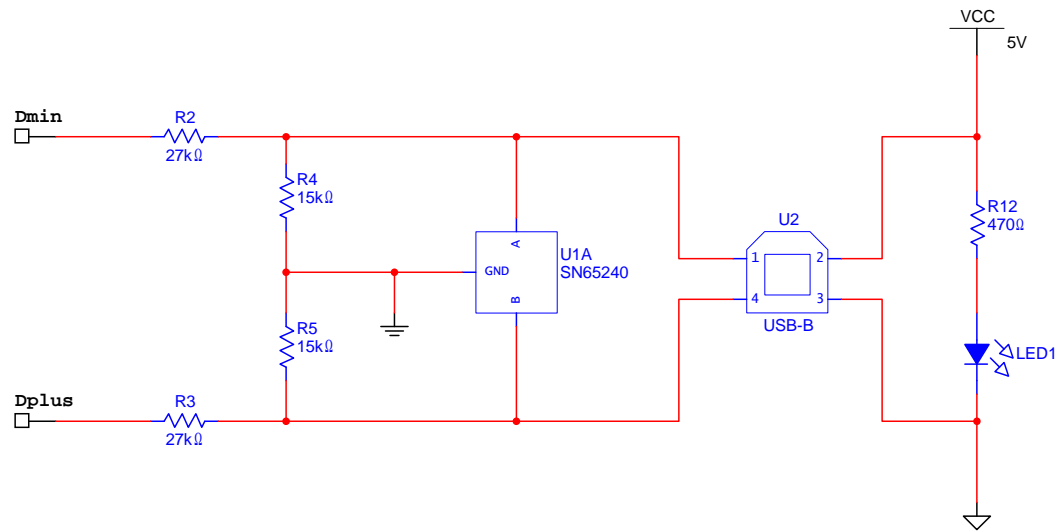
Title: oscusb-main		
Osciloscopio USB		
Designed by:	Document N: 0001	Revision: 8
Checked by:	Date: 2005-12-24	Size: Custom
Approved by:	Sheet 1 of 5	



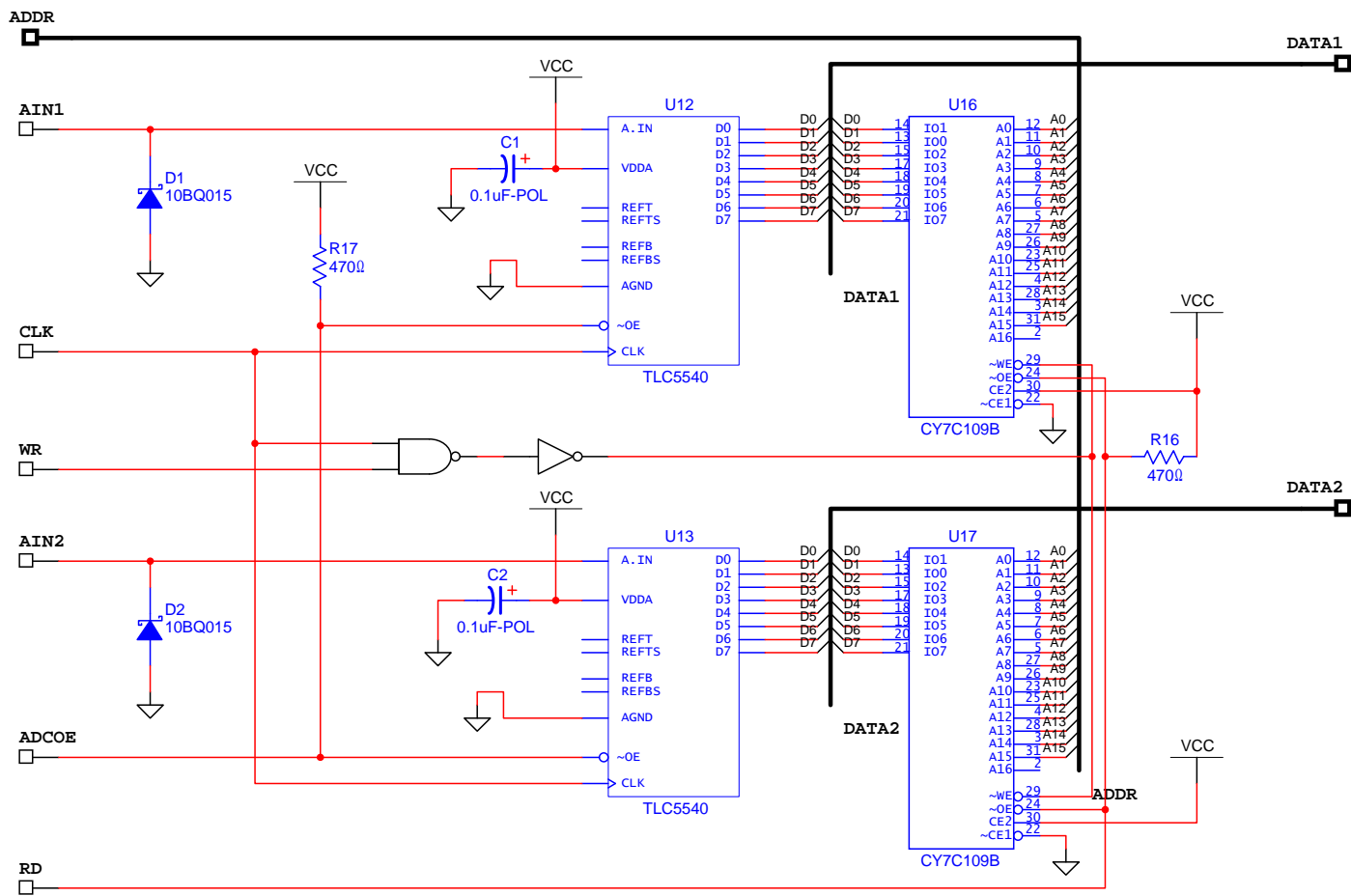
Title: Etapa de Entrada		
Osciloscopio USB		
Designed by:	Document N: 0001	Revision: 8
Checked by:	Date: 2005-12-24	Size: Custom
Approved by:	Sheet 2 of 5	



Title: oscusb-ctrlmem		
Osciloscopio USB		
Designed by:	Document N: 0001	Revision: 8
Checked by:	Date: 2005-12-24	Size: Custom
Approved by:	Sheet 3 of 5	



Title: Salida USB		
Osciloscopio USB		
Designed by:	Document N: 0001	Revision: 8
Checked by:	Date: 2005-12-24	Size: Custom
Approved by:	Sheet 4 of 5	



Title: oscusb-adquisition		
Osciloscopio USB		
Designed by:	Document N: 0001	Revision: 8
Checked by:	Date: 2005-12-24	Size: Custom
Approved by:	Sheet 5 of 5	